

PARTS LIST

[KD-LX110R/KD-LX330R]

* All printed circuit boards and its assemblies are not available as service parts.

Area suffix

KD-LX110R

E ----- Continental Europe

KD-LX330R

E----- Continental Europe

EX----- Central Europe

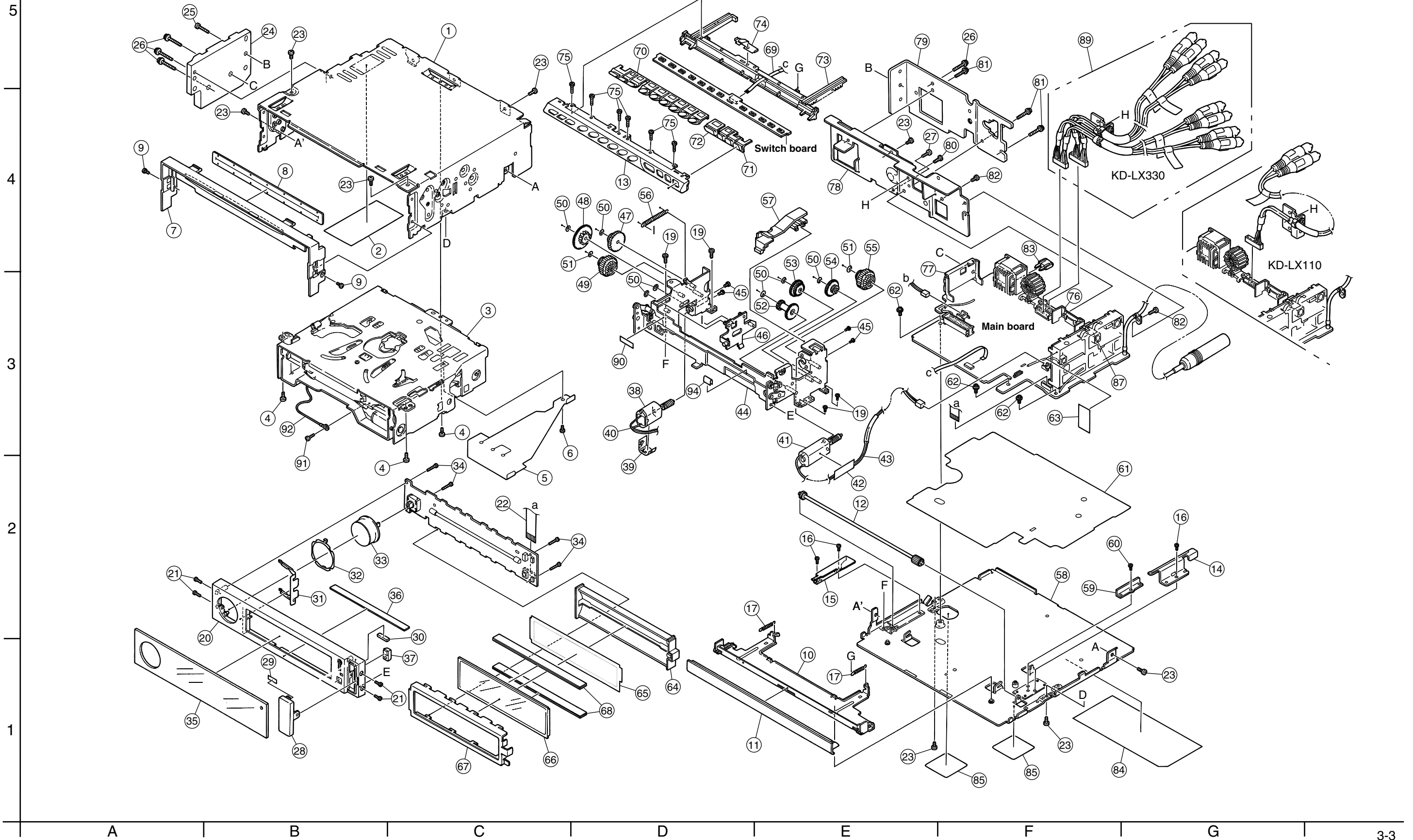
- Contents -

Exploded view of general assembly and parts list	3-3
CD mechanism assembly and parts list	3-5
Electrical parts list	3-8
Packing materials and accessories parts list.....	3-16

< M E M O >

Exploded view of general assembly and parts list

Block No. M 1 M M



■ Parts list (General assembly)

Block No. M1MM

△	Item	Parts number	Parts name	Q'ty	Description	Area
	1	DG1002000	CHASSIS TOP	1		
	2	DG4114000	INSULATOR (SHAS	1		
	3	-----	CD MECHA	1		
	4	QYSDST2604Z	SCREW	3		
	5	DG4003020	FFC P.MECHA	1		
	6	QYSPST2004M	SCREW	1		
	7	DG1069001	FRONT COVER	1		
	8	LV40828-002A	BLIND	1		
	9	QYSPSP2003M	SCREW	2		
	10	LV31605-001A	DOOR BASE ASS'Y	1		
	11	DG4112010	PANEL COVER ASS	1		
	12	LV31610-001A	ROD GEAR	1		
	13	DG1073150	BUTTON PANEL	1	KD-LX110R	
		DG1073151	BUTTON PANEL	1	KD-LX330R	
	14	DG3024000	BUTTON BASE BKT	1		
	15	DG4071010	BUTTON B SUPORT	1		
	16	YM2029000	SCREW	3		
	17	LV41452-003A	TENS SPRING BTM	2		
	19	YM2029000	SCREW	4		
	20	DG1122001	DISPLAY PANEL	1		
	21	XP1728P3B	SCREW	4		
	22	EX0000496	17P FLAT CABLE	1		
	23	XT2640BSC	SCREW	8		
	24	DG3008000	SIDE HEAT SINK	1		
	25	XT26A0BPC	SCREW	1		
	26	YM2626002	SCREW	4		
	27	YM2626000	SCREW	1		
	28	LV41469-001A	UP DOWN B.ASS'Y	1		
	29	LV40848-009A	SPACER(P)	1		
	30	LV40846-005A	SPACER(F)	1		
	31	DG3126020	KNOB SPRING	1		
	32	DG4127010	ENCODER PLATE	1		
	33	DG3121050	KNOB VOL ASSY	1		
	34	VKZ4777-001	MINI SCREW	4		
	35	DG3102010	FINDER ASSY	1		
	36	DG4136000	D.P. PLATE	1		
	37	LV41505-001A	REMOTE LENS	1		
	38	QAR0029001-SA2	MOTOR ASS'Y	1		
	39	LV40847-002A	SPACER	1		
	40	KA2502009	2P CONECTOR ASS	1		
	41	DG4138000	MOTOR ASS'Y	1		
	42	LV40847-002A	SPACER	1		
	43	KA2502010	2P CONECTOR ASS	1		
	44	DG3131010	MOVE BKT ASS'Y	1		
	45	XP2020P1C	SCREW	4		
	46	DG3082030	PUSH LEVER ASSY	1		
	47	LV41466-001A	GEAR 4	1		
	48	LV41467-001A	GEAR 5	1		

■ Parts list (General assembly)

Block No. M1MM

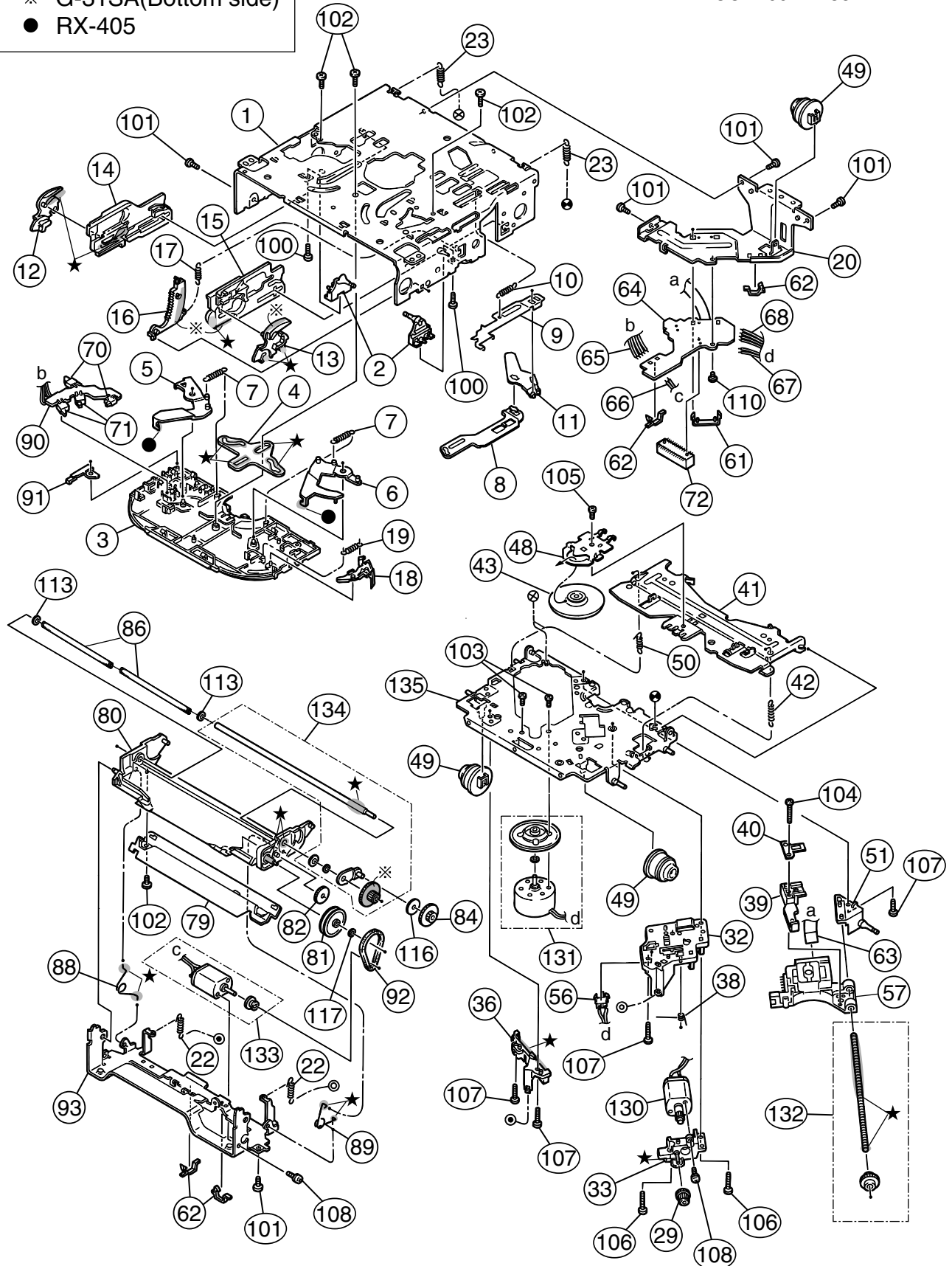
△	Item	Parts number	Parts name	Q'ty	Description	Area
	49	LV30981-005A	CLUTCH ASS'Y	1		
	50	YWP020300	C.WASHER	7		
	51	YWP020301	C.WASHER	2		
	52	LV31611-001A	GEAR 3	1		
	53	LV41464-001A	GEAR 2	1		
	54	LV41463-001A	GEAR 1	1		
	55	LV30981-007A	*CLUTCH ASS'Y	1		
	56	DG4087040	LEVER SPRING	1		
	57	DG3058000	FFC GUIDE	1		
	58	DG3010010	BOTTOM ASSY	1		
	59	LV41545-001A	BUTTON B.GUIDE	1		
	60	YM2029000	SCREW	1		
	61	DG3014000	INSULATOR	1		
	62	YM2626000	SCREW	3		
	64	DG3092020	LIGHTING CASE	1		
	65	DG4090030	LCD FILTER	1		
	66	000101380	LCD	1	KD-LX110R	
		000101390	LCD	1	KD-LX330R	
	67	DG3089020	LCD CASE	1		
	68	DG4091020	ZEBRA CONTACT	2		
	69	EX0000495	6P FLAT CABLE	1		
	70	DG2074031	BUTTON PRESET 1	1		
	71	DG3075042	BUTTON PRESET 2	1		
	72	DG3076040	BUTTON SOURCE	1		
	73	DG1072090	BUTTON BASE	1		
	74	LV41825-004A	PLATE SPRING	1		
	75	VKZ4777-004	MINI SCREW	6		
	76	DG3070000	REG.IC BRACET	1		
	77	DG4117000	POWER IC BKT	1		
	78	DG3005030	REAR BRACKET	1		
	79	DG3007010	REAR HEAT SINK	1		
	80	XT2640BSC	SCREW	1		
	81	YM2626001	SCREW	3		
	82	XT2640BSC	SCREW	2		
△	83	FU15R0031	AUTO FUSE	1	(15A)	
	84	PLN122900	NAME LABEL	1	KD-LX110R	
		PLN123000	NAME LABEL	1	KD-LX330R	
	85	DG4115000	SHEET	2		
	87	DG3111000	LEAD PLATE	1		
	89	EX0000490	RCA CORD ASSY	1	KD-LX330R	
		EX0000488	RCA CORD ASSY	1	KD-LX110R	
	90	DG4116010	SHEET (FRONT BK	1		
	91	XT2040BSC	SCREW	1		
	92	EX0000508	WIRE ASS'Y	1		
	94	DG4124000	SPACER	1		

CD mechanism assembly and parts list

- Grease
- ★ G-31SA
 - ※ G-31SA(Bottom side)
 - RX-405

Block No. M 2 M M

TN-CCD1001Z-138



■ Parts list (CD mechanism)

Block No. M2MM

△	Item	Parts number	Parts name	Q'ty	Description	Area
	1	30310101T	FRAME	1		
	2	30310103T	DANPER PIN	2		
	3	30310107T	UPPER PLATE	1		
	4	30310108T	SEL STOP PLATE	1		
	5	30310142T	SEL ARM (L)L	1		
	6	30310143T	SEL ARM (R)L	1		
	7	30310145T	S ARM SPRING(L)	2		
	8	30310112T	TRIG LEVER	1		
	9	30310155T	TRIG PL(Z)	1		
	10	30310115T	TRIG PL SPRING	1		
	11	30310116T	TRIG ARM	1		
	12	30310134T	FIX ARM (L)B	1		
	13	30310159T	FIX ARM (R)Z	1		
	14	30310150T	FIX PL (L)Z	1		
	15	30310156T	FIX PL (R) Z	1		
	16	30310138T	LDG GR (6)B	1		
	17	30310122T	LDG GEAR (6)SP	1		
	18	30310148T	S.L ARM(N)	1		
	19	30310125T	S.L ARM SPRING	1		
	20	30310149T	REAR DAM BKT(Z)	1		
	22	30310151T	HUNG UP SP (FZ)	2		
	23	30310129T	HUNG UP SP (R)	2		
	29	30300510T	PU GEAR(B)	1		
	32	30310544T	F.M.BASE(Z)	1		
	33	30310547T	FD GR BLK(Z)	1		
	36	30310546T	PU GUIDE(Z)	1		
	38	30310533T	THRUST SPR(M)	1		
	39	30310577T	PU M NUT(Z-S)	1		
	40	30310512T	NUT PUSH SPR PL	1		
	41	30310558T	CLP ARM(Z)	1		
	42	30310514T	CLP ARM SPRING	1		
	43	30310552T	CLAMPER(Z)	1		
	48	30310557T	CLAMPER PLATE(Z)	1		
	49	30310524T	DAMPER (J)	3		
	50	30310525T	CLP ARM SPR (L)	1		
	51	30310545T	F SCREW GUIDE(Z)	1		
	56	64180405T	DET SW	1	ESE11SF4	
	57	QAL0230-001	C.D PICK (SONY)	1		
	61	30311035T	FPC HOLDER(Z)	1		
	62	19501403T	WIRE CLAMPER	4		
	63	30311045T	PICK UP FPC(Z-S)	1		
	64	30311044T	CONNECT.PCB(Z-S)	1		
	65	30311038T	WIRE (5P-Z)	1		
	66	30311039T	WIRE (LD-Z)	1		
	67	30311040T	WIRE (FD-Z)	1		
	68	30311041T	WIRE (RS-Z)	1		
	70	64180402T	DET SWITCH	2	ESE22MH1	
	71	64180403T	DET SWITCH	2	ESE22MH3	

■ Parts list (CD mechanism)

Block No. M2MM

△	Item	Parts number	Parts name	Q'ty	Description	Area
	72	68150232T	CONNECTOR	1	TKC-W26X-C1	
	79	30311105T	SOPPORT PLATE	1		
	80	30311138T	GR MT BLK(N)	1		
	81	30311109T	LDG GEAR (2)	1		
	82	30311110T	LDG GEAR (3)	1		
	84	30311112T	LDG GEAR (5)	1		
	86	30311136T	LDG ROLLER	2		
	88	30311118T	L.P SPRING (L)	1		
	89	30311119T	L.P SPRING (R)	1		
	90	30311123T	SW PCB	1		
	91	30311124T	SW ACTUATOR	1		
	92	30311129T	LDG BELT	1		
	93	30311140T	FRONT BRKT (J)	1		
	100	9C0620503T	C B TAP SCREW	2	M2X5	
	101	9C2020401T	C SCREW TS.G	5	M2X4	
	102	9C4320403T	C B TAP SCREW	4	M2X4	
	103	9C0117223T	SCREW	2	M1.7X2.2	
	104	9C0917703T	C TAP SCREW S3	1	M1.7X7	
	105	9C0320201T	C TAP SCREW S3	1	M2X2	
	106	9C4920013T	C TAP SCREW S3	2	M2X10	
	107	9C4920603T	C TAP SCREW B3	4	M2X6	
	108	9P0220031T	TAMS SCREW	2	M2X3	
	110	9C0420253	C TAP SCREW	1	M2X2.5	
	113	9W0330276	NW BLUE	2	2.9X5X0.3	
	116	9W0725030T	LUMILAR W	1	2.3X9.8X0.25	
	117	9W0640030T	WASHER	1	1.4X3.2X0.4	
	130	303105310T	FEED MO ASSY	1		
	131	303105311T	SPINDLE MO ASSY	1		
	132	303105312T	FEED SCREW ASSY	1		
	133	303111301T	LDG MOTOR ASSY	1		
	134	303111302T	RDG RLR SFT ASY	1		
	135	303105502T	T.T.BASE ASSY	1		

■ Electrical parts list (Main board)

Block No. 01

△	Item	Parts number	Parts name	Remarks	Area
	BZ791	000393760	BUZZER	CD11PA-XZ	
	C 1	CY473623J	CAPACITOR	CY 0.047 UF	
	C 2	CE2263468	CAPACITOR	CE 22UF 16V	
	C 3	CY103623J	CAPACITOR	CY 0.001 UF	
	C 4	CZ1016D2J	CAPACITOR	CZ 100PF	
	C 5	CE2271468	CAPACITOR	CY 0.01 UF	
	C 6	CY473623J	CAPACITOR	CY 0.047 UF	
	C 7	CY183623J	CAPACITOR	CE 0.018UF	
	C 8	CY104423J	CAPACITOR	CY 0.1UF	
	C 9	CE2263468	CAPACITOR	CE 22UF/16V	
	C 11	CY473623J	CAPACITOR	CY 0.047UF	
	C 20	CY153623J	CAPACITOR	CY 0.015UF	
	C 21	CZ3316D2J	CAPACITOR	CZ 330PF	
	C 22	CY103623J	CAPACITOR	CY0.01UF	
	C 23	CY472623J	CAPACITOR	CY 0.0047 UF	
	C 24	CY104423J	CAPACITOR	CY 0.1UF	
	C 25	CE4746468	CAPACITOR	CE 0.47UF/50V	
	C 31	CY103623J	CAPACITOR	CY 0.01 UF	
	C 32	CE4746468	CAPACITOR	CE 0.47UF/50V	
	C 33	CY102623J	CAPACITOR	CY 0.001 UF	
	C 34	CY682623J	CAPACITOR	CY 0.0068UF	
	C 35	CE2263468	CAPACITOR	CE 22 UF/16V	
	C 36	CY152623J	CAPACITOR	CY 0.0015UF	
	C 37	CY103623J	CAPACITOR	CY 0.01 UF	
	C 38	CY473623J	CAPACITOR	CY 0.047 UF	
	C 39	CE1046468	CAPACITOR	CE 0.1 UF/50V	
	C 40	CE1056468	CAPACITOR	CE 1 UF/50V	
	C 41	CY103623J	CAPACITOR	CY 0.01UF	
	C 42	CE1056468	CAPACITOR	CE 1 UF/50V	
	C 43	CE1056468	CAPACITOR	CE 1 UF/50V	
	C 44	CE1056468	CAPACITOR	CE 1 UF/50V	
	C 45	CE1056468	CAPACITOR	CE 1 UF/50V	
	C 46	CE1056468	CAPACITOR	CE 1 UF/50V	
	C 51	CZ1206D2J	CAPACITOR	CZ 12PF	
	C 52	CZ1206D2J	CAPACITOR	CZ 12PF	
	C 53	CE4760468	CAPACITOR	CE47 UF/6.3V	
	C 54	CY103623J	CAPACITOR	CY 0.01UF	
	C 55	CZ5616D2J	CAPACITOR	CZ 560 PF	
	C 56	CY223623J	CAPACITOR	CY 0.022UF	
	C 57	CE2256468	CAPACITOR	CE 2.2UF/50V	
	C 101	CY153623J	CAPACITOR	CY 0.015UF	
	C 102	CZ6816D2J	CAPACITOR	CZ 680 PF	
	C 103	CE2246468	CAPACITOR	CE 0.22UF/50V	
	C 112	CE1056468	CAPACITOR	CE 1 UF	
	C 118	CY472623J	CAPACITOR	CY 0.0047UF	
	C 119	CE1063468	CAPACITOR	CE 10 UF	
	C 120	CZ4716D2J	CAPACITOR	CZ 470 PF	
	C 141	CE1056468	CAPACITOR	CE 1 UF	
	C 142	CE1056468	CAPACITOR	CE 1 UF	
	C 143	CZ3316D2J	CAPACITOR	CZ 330 PF	
	C 144	CZ3316D2J	CAPACITOR	CZ 330 PF	
	C 151	CY105122J	CAPACITOR	CY 1 UF	
	C 152	CY122623J	CAPACITOR	CY 0.0012UF	
	C 153	CZ1216D2J	CAPACITOR	CZ 120 PF	
	C 154	CZ1016D2J	CAPACITOR	CZ 100 PF	
	C 155	CE4760468	CAPACITOR	CE 47 UF	
	C 156	CE1071468	CAPACITOR	CE 100 UF	
	C 161	CE1056468	CAPACITOR	CE 1 UF	
	C 162	CE2263468	CAPACITOR	CE 22 UF	
	C 163	CY473623J	CAPACITOR	CY 0.047 UF	
	C 164	CY224122J	CAPACITOR	CY 0.22 UF	
	C 172	CE1063468	CAPACITOR	KD-LX330R	
	C 173	CE2260468	CAPACITOR	KD-LX330R	

△	Item	Parts number	Parts name	Remarks	Area
	C 174	CY223623J	CAPACITOR	KD-LX330R	
	C 175	CE4760468	CAPACITOR	0.22 UF	
	C 202	CZ5616D2J	CAPACITOR	CZ 560 PF	
	C 203	CE2246468	CAPACITOR	CE 0.022UF/50V	
	C 212	CE1056468	CAPACITOR	CE 1 UF	
	C 218	CY472623J	CAPACITOR	CY 0.0047UF	
	C 219	CE1063468	CAPACITOR	CE 10 UF	
	C 220	CZ4716D2J	CAPACITOR	CZ 470 PF	
	C 241	CE1056468	CAPACITOR	CE 1 UF	
	C 242	CE1056468	CAPACITOR	CE 1 UF	
	C 243	CZ3316D2J	CAPACITOR	CZ 330 PF	
	C 244	CZ3316D2J	CAPACITOR	CZ 330 PF	
	C 251	CY105122J	CAPACITOR	CY 1 UF	
	C 252	CY122623J	CAPACITOR	CY 0.0012UF	
	C 253	CZ1216D2J	CAPACITOR	CZ 120 PF	
	C 254	CZ1016D2J	CAPACITOR	CZ 100 PF	
	C 272	CE1063468	CAPACITOR	KD-LX330R UF	
	C 273	CE2260468	CAPACITOR	KD-LX330R	
	C 301	CE4754468	CAPACITOR	KD-LX330R	
	C 302	CE4754468	CAPACITOR	KD-LX330R	
	C 303	CE4763468	CAPACITOR	KD-LX330R	
	C 305	CE4754468	CAPACITOR	4.7UF125V	
	C 306	CE4754468	CAPACITOR	4.7UF125V	
	C 307	CE1071468	CAPACITOR	KD-LX330R	
	C 308	CE4754468	CAPACITOR	KD-LX330R	
	C 309	CE4754468	CAPACITOR	KD-LX330R	
	C 310	CE1071468	CAPACITOR	KD-LX330R	
	C 321	CE1063468	CAPACITOR	KD-LX330R	
	C 322	CY103623J	CAPACITOR	KD-LX330R	
	C 323	CE4763468	CAPACITOR	KD-LX330R	
	C 324	CE1063468	CAPACITOR	KD-LX330R	
	C 325	CE2256468	CAPACITOR	KD-LX330R	
	C 326	CY682623J	CAPACITOR	KD-LX330R	
	C 327	CY823423J	CAPACITOR	KD-LX330R	
	C 329	CE2256468	CAPACITOR	KD-LX330R	
	C 330	CY123623J	CAPACITOR	KD-LX330R	
	C 331	CY562623J	CAPACITOR	KD-LX330R	
	C 332	CY273623J	CAPACITOR	KD-LX330R	
	C 333	CY273623J	CAPACITOR	KD-LX330R	
	C 334	CY333623J	CAPACITOR	KD-LX330R	
	C 335	CE2256468	CAPACITOR	KD-LX330R	
	C 336	CY473623J	CAPACITOR	KD-LX330R	
	C 337	CY473623J	CAPACITOR	KD-LX330R	
	C 351	CY104423J	CAPACITOR	CY 0.1 UF	
	C 352	CY103623J	CAPACITOR	CY 0.01 UF	
	C 353	CE4754468	CAPACITOR	CE 4.7 UF	
	C 354	CY104423J	CAPACITOR	CY 0.1 UF	
	C 355	CZ4716D2J	CAPACITOR	CZ 470 PF	
	C 356	CE1063468	CAPACITOR	CE 10 UF	
	C 357	CY472623J	CAPACITOR	CY 0.0047UF	
	C 358	CY224122J	CAPACITOR	CY 0.22 UF	
	C 359	CY224122J	CAPACITOR	CY 0.22 UF	
	C 361	CE4754468	CAPACITOR	KD-LX110R	
	C 362	CE4754468	CAPACITOR	KD-LX110R	
	C 363	CZ1016D2J	CAPACITOR	KD-LX110R	
	C 364	CZ1016D2J	CAPACITOR	KD-LX110R	
	C 367	CE2271468	CAPACITOR	KD-LX110R	
	C 401	CE4754468	CAPACITOR	KD-LX330R	
	C 402	CE4754468	CAPACITOR	KD-LX330R	
	C 403	CE4763468	CAPACITOR	KD-LX330R	
	C 405	CE4754468	CAPACITOR	4.7UF 125V	
	C 406	CE4754468	CAPACITOR	4.7UF 125V	
	C 407	CE1071468	CAPACITOR	KD-LX330R	

■ Electrical parts list (Main board)

Block No. 01

△	Item	Parts number	Parts name	Remarks	Area	△	Item	Parts number	Parts name	Remarks	Area
	C 408	CE4754468	CAPACITOR	KD-LX330R			C 701	CZ2206D2J	CAPACITOR	CZ 22 PF	
	C 409	CE4754468	CAPACITOR	KD-LX330R			C 702	CZ2706D2J	CAPACITOR	CZ 27 PF	
	C 410	CE1071468	CAPACITOR	KD-LX330R			C 703	CZ1506D2J	CAPACITOR	CZ 15 PF	
	C 451	CY104423J	CAPACITOR	CY 0.1 UF			C 704	CZ1506D2J	CAPACITOR	CZ 15 PF	
	C 452	CY103623J	CAPACITOR	CY 0.01 UF			C 705	CZ2216D2J	CAPACITOR	CZ 220 PF	
	C 454	CY104423J	CAPACITOR	CY 0.1 UF			C 706	CY473623J	CAPACITOR	CY 0.047 UF	
	C 455	CZ4716D2J	CAPACITOR	CZ 470 PF			C 707	CY103623J	CAPACITOR	CY 0.01 UF	
	C 456	CE1063468	CAPACITOR	CE 10 UF			C 708	CE1063468	CAPACITOR	CE 10 UF	
	C 457	CY472623J	CAPACITOR	CY 0.0047UF			C 710	CE2271468	CAPACITOR	CE 220 UF	
	C 458	CY224122J	CAPACITOR	CY 0.22 UF			C 711	CY474122J	CAPACITOR	CY 0.47 UF	
	C 459	CY224122J	CAPACITOR	CY 0.22 UF			C 712	CY474122J	CAPACITOR	CY 0.47 UF	
	C 461	CE4754468	CAPACITOR	KD-LX110R			C 713	CE2271468	CAPACITOR	CE 220 UF	
	C 462	CE4754468	CAPACITOR	KD-LX110R			C 719	CZ2216D2J	CAPACITOR	CZ 220 PF	
	C 463	CZ1016D2J	CAPACITOR	KD-LX110R			C 720	CY473623J	CAPACITOR	CY 0.047 UF	
	C 464	CZ1016D2J	CAPACITOR	KD-LX110R			C 721	CY222623J	CAPACITOR	CY 0.0022UF	
	C 501	CE1071468	CAPACITOR	CE 100 UF			C 722	CY222623J	CAPACITOR	CY 0.0022UF	
	C 502	CY103623J	CAPACITOR	CY 0.01 UF			C 723	CE2271468	CAPACITOR	KD-LX330R	
	C 504	CY103623J	CAPACITOR	CY 0.01 UF			C 730	CY473623J	CAPACITOR	CY 0.047UF	
	C 505	CY103623J	CAPACITOR	CY 0.01 UF			C 750	CY474122J	CAPACITOR	CY 0.47UF	
	C 506	CE1071468	CAPACITOR	CE 100 UF			C 755	CY473623J	CAPACITOR	CY 0.047 UF	
	C 507	CY103623J	CAPACITOR	CY 0.01 UF			C 756	CY222623J	CAPACITOR	CY 0.0022UF	
	C 508	CY104423J	CAPACITOR	CY 0.1 UF			C 757	CY104423J	CAPACITOR	CY 0.1 UF	
	C 509	CY104423J	CAPACITOR	CY 0.1 UF			C 771	CY473623J	CAPACITOR	CY 0.047 UF	
	C 510	CZ8206D2J	CAPACITOR	CZ 82 PF			C 791	CE1046468	CAPACITOR	CE 0.1 UF	
	C 511	CY682623J	CAPACITOR	CY 0.0068UF			C 821	CY183623J	CAPACITOR	KD-LX330R F	
	C 512	CE1071468	CAPACITOR	CE 100 UF			C 822	CY393623J	CAPACITOR	KD-LX330R	
	C 513	CY103623J	CAPACITOR	CY 0.01 UF			C 823	CY393623J	CAPACITOR	KD-LX330R	
	C 515	CZ5R06A2J	CAPACITOR	CZ 5 PF			C 824	CY393623J	CAPACITOR	KD-LX330R	
	C 521	CE1071468	CAPACITOR	CE 100 UF			C 825	CY393623J	CAPACITOR	KD-LX330R	
	C 522	CE1071468	CAPACITOR	CE 100 UF			C 826	CY122623J	CAPACITOR	KD-LX330R	
	C 523	CE1056468	CAPACITOR	CE 1 UF			C 827	CE1063468	CAPACITOR	KD-LX330R	
	C 524	CY103623J	CAPACITOR	CY 0.01 UF			C 828	CE2263468	CAPACITOR	KD-LX330R	
	C 525	CY103623J	CAPACITOR	CY 0.01 UF			C 911	CE4763468	CAPACITOR	CE 47 UF	
	C 529	CE1071468	CAPACITOR	CE 100 UF			C 912	CE1071468	CAPACITOR	CE 100 UF	
	C 533	CZ4706D2J	CAPACITOR	CZ 47 PF			C 913	CY104423J	CAPACITOR	CY 0.1 UF	
	C 534	CY153623J	CAPACITOR	CY 0.015 UF			C 931	CZ1016D2J	CAPACITOR	CZ 100 PF	
	C 536	CY103623J	CAPACITOR	CY 0.01 UF			C 932	CY473623J	CAPACITOR	CY 0.047 UF	
	C 537	CY272623J	CAPACITOR	CY 0.0027UF			C 937	CY104423J	CAPACITOR	CY 0.1 UF	
	C 538	CY103623J	CAPACITOR	CY 0.01 UF			C 940	CK1026057	CAPACITOR	KD-LX110R	
	C 539	CY333623J	CAPACITOR	CY 0.033 UF			C 941	CE4746468	CAPACITOR	CE 0.47 UF	
	C 540	CY473623J	CAPACITOR	CY 0.047 UF			C 942	CE4763468	CAPACITOR	CE 47 UF	
	C 542	CZ4716D2J	CAPACITOR	CZ 470 PF			C 943	CY103603J	CAPACITOR	CY 0.01 UF	
	C 543	CZ4716D2J	CAPACITOR	CZ 470 PF			C 944	CE2256468	CAPACITOR	CE 2.2UF 150V	
	C 545	CY473623J	CAPACITOR	CY 0.047 UF			C 945	CY104423J	CAPACITOR	CY 0.1 UF	
	C 546	CY473623J	CAPACITOR	CY 0.047 UF			C 951	CY104423J	CAPACITOR	CY 0.1 UF	
	C 547	CY473623J	CAPACITOR	CY 0.047 UF			C 952	CE1063468	CAPACITOR	CE 10 UF	
	C 549	CY473623J	CAPACITOR	CY 0.047 UF			C 961	CE3383541	CAPACITOR	CE 3300 UF	
	C 550	CY333623J	CAPACITOR	CY 0.033 UF			C 962	CE2256468	CAPACITOR	CE 2.2 UF	
	C 551	CE1071468	CAPACITOR	CE 100 UF			C 964	CE2271468	CAPACITOR	CE 220 UF	
	C 552	CY103623J	CAPACITOR	CY 0.01 UF			C 965	CE2263468	CAPACITOR	CE 22 UF	
	C 553	CY103623J	CAPACITOR	CY 0.01 UF			C 966	CY103623J	CAPACITOR	CY 0.01 UF	
	C 554	CE1071468	CAPACITOR	CE 100 UF			C 967	CE2263468	CAPACITOR	CE 22 UF	
	C 555	CY103623J	CAPACITOR	CY 0.01 UF			C 968	CY104423J	CAPACITOR	CY 0.1 UF	
	C 556	CZ8R06B2J	CAPACITOR	CZ 8 PF			C 969	CE2263468	CAPACITOR	CE 22 UF	
	C 557	CZ8R06B2J	CAPACITOR	CZ 8 PF			C 970	CY473623J	CAPACITOR	CY 0.047 UF	
	C 558	CZ1016D2J	CAPACITOR	CZ 100 PF			C 971	CE4763468	CAPACITOR	CE 47 UF	
	C 571	CE1071468	CAPACITOR	CE 100 UF			C 977	CE2263468	CAPACITOR	CE 22 UF	
	C 573	CY103623J	CAPACITOR	CY 0.01 UF			C 978	CE1071468	CAPACITOR	CE 100 UF	
	C 574	CE1071468	CAPACITOR	CE 100 UF			C 982	CE2263468	CAPACITOR	CE 22 UF	
	C 581	CE2271468	CAPACITOR	CE 220 UF			C 987	CY104423J	CAPACITOR	CY 0.1UF	
	C 582	CY103623J	CAPACITOR	CY 0.01 UF			C 991	CZ2716D2J	CAPACITOR	CZ 270PF	
	C 583	CE2263468	CAPACITOR	CE 22 UF			C 992	CZ2716D2J	CAPACITOR	CZ 270PF	
	C 584	CY473623J	CAPACITOR	CY 0.047 UF			C 993	CZ2716D2J	CAPACITOR	CZ 270PF	

■ Electrical parts list (Main board)

Block No. 01

△	Item	Parts number	Parts name	Remarks	Area
	C 994	CZ2716D2J	CAPACITOR	CZ 270PF	
	C 995	CZ2716D2J	CAPACITOR	CZ 270PF	
	C 996	CZ2716D2J	CAPACITOR	CZ 270PF	
	C 997	CZ2716D2J	CAPACITOR	CZ 270PF	
	C 998	CZ2716D2J	CAPACITOR	CZ 270PF	
	CN301	KN2507297	CONNECTOR	7P BASE POST	
	CN302	KN2506297	CONNECTOR	KD-LX330R	
	CN503	KN2502091	CONNECTOR	2P BASE POST S	
	CN504	KN2502091	CONNECTOR	2P BASE POST S	
	CN601	KZ042260L	CONNECTOR	26P TKC-W26P-	
	CN701	KZ041170L	CONNECTOR	17P FPC 52559-	
	CN702	KZ040060L	CONNECTOR	6P FPCR 52746-	
	CN704	KN530409L	CONNECTOR	4P BASE POST 5	
	CN771	KX0040800	CONNECTOR	8P BUS CONNECTO	
	CN901	KX0071600	CONNECTOR	DC CONNECTOR (1	
	D 1	DI1SS400L	DIODE		
	D 2	DI1SS400L	DIODE		
	D 3	DI1SS400L	DIODE		
	D 11	DAN202U-X	DIODE		
	D 31	DI1SS400L	SI,DIODE		
	D 101	DAN202U-X	DIODE		
	D 111	DAN202U-W	DIODE		
	D 131	DAP202U-X	DIODE		
	D 161	DIAN217UL	DIODE		
	D 201	DAN202U-X	SI,DIODE		
	D 231	DAP202U-X	DIODE		
	D 332	DAN202U-X	DIODE		
	D 351	DAN202U-X	DIODE	KD-LX330R	
	D 451	DAN202U-X	DIODE	KD-LX330R	
	D 701	CRS03-X	DIODE		
	D 711	DI1SS400L	DIODE		
	D 941	DI1SS400L	DIODE		
	D 961	1N5404-TU-15	DIODE		
	D 962	CRS03-X	DIODE		
	D 963	DI1SS400L	DIODE		
	D 967	CRS03-X	DIODE		
	D 978	UDZ11B-X	Z,DIODE	ZENER DI UDZ11	
	D 980	DI1SS400L	DIODE		
	D 986	DIAP202UL	DIODE		
	IC 31	LA3460M-X	IC		
	IC 51	BU1923F-X	IC		
	IC171	000474740-T	IC	KD-LX110R	
	IC301	BA3220FV-X	I.C(M)	KD-LX330R	
	IC321	M5282FP-X	I.C(MONO-ANA)	KD-LX330R	
	IC322	BU4066BCFV-X	IC	KD-LX330R	
	IC323	NJM4565MD	IC	KD-LX330R	
	IC361	NJM4565MD	IC	KD-LX110R	
	IC401	BA3220FV-X	I.C(M)	KD-LX330R	
	IC461	NJM4565MD	IC	KD-LX110R	
	IC521	TC9490FA	IC		
	IC601	TA2147F-X	IC		
	IC661	FAN8037	IC		
	IC701	UPD784215AGC129	IC		
	IC702	000874360-T	IC	IC PST600MGT	
	IC703	BR24C32F-X	IC		
	IC771	HD74HC126FP	IC		
	IC821	NJM2100M	I.C		
	IC821	TA8273H	I.C(MONO-ANA)	KD-LX330R	
	IC911	BD3860K	IC		
	IC941	TA8273H	I.C(MONO-ANA)		
	IC951	NJM2904M	IC		
	IC960	NJM4565MD	IC		
	IC961	HA13164	IC		

△	Item	Parts number	Parts name	Remarks	Area
	J 1	EX0000487	JACK	ANTTENA CORD AS	
	L 1	LC4R7J257	COIL	LC 4.7UH	
	L 521	LC470K10J	COIL	LC 47UH	
	L 522	LC470K10J	COIL	LC 47UH	
	L 523	RK820J32J	COIL	RK 1/4W 82K	
	L 524	LC470K10J	COIL	LC 47UH	
	L 701	LC470K10J	COIL	LC 47UH	
	L 718	LC1R8K24J	COIL	LC 1.8UH	
	L 719	LC1R8K24J	COIL	LC 1.8UH	
	L 961	000125560	CHOKE COIL		
	Q 1	DTA114EUA-X	DIGITAL.TR		
	Q 11	2SB1197K/QR/-X	TRANSISTOR		
	Q 12	TRC114EUL-A	TRANSISTOR		
	Q 13	TRA1576(QRS)L-A	TRANSISTOR		
	Q 21	TRC4081(QRS)L	TRANSISTOR		
	Q 22	TRC4081(QRS)L	TRANSISTOR		
	Q 23	TRC4081(QRS)L	TRANSISTOR		
	Q 24	TRC114EUL-A	TRANSISTOR		
	Q 31	TRA114EUL-A	TRANSISTOR		
	Q 32	TRC114EUL-A	TRANSISTOR		
	Q 33	TRC4081(QRS)L	TRANSISTOR		
	Q 34	TRA114EUL-A	TRANSISTOR		
	Q 35	TRA1576(QRS)L-A	TRANSISTOR		
	Q 36	TRC114EUL-A	TRANSISTOR		
	Q 131	2SD1048/6-7/-X	TRANSISTOR	KD-LX330R	
	Q 132	2SD1048/6-7/-X	TRANSISTOR		
	Q 161	2SC4081/QR/-X	TRANSISTOR		
	Q 231	2SD1048/6-7/-X	TRANSISTOR	KD-LX330R	
	Q 232	2SD1048/6-7/-X	TRANSISTOR		
	Q 321	TRC114EUL-A	TRANSISTOR	KD-LX330R	
	Q 322	TRC114EUL-A	TRANSISTOR	KD-LX330R	
	Q 323	2SD1048/6-7/-X	TRANSISTOR	KD-LX330R	
	Q 501	2SB1241/QR/-T	TRANSISTOR		
	Q 561	2SB1241/QR/-T	TRANSISTOR		
	Q 590	DTA114EUA-X	DIGITAL.TR		
	Q 591	DTA114EUA-X	DIGITAL.TR		
	Q 700	DTA114EUA-X	DIGITAL.TR		
	Q 701	DTA114EUA-X	DIGITAL.TR		
	Q 702	2SA1576A/QR/-X	TRANSISTOR		
	Q 791	DTA114EUA-X	DIGITAL.TR		
	Q 942	DTA114EUA-X	DIGITAL.TR		
	Q 943	DTA114EUA-X	DIGITAL.TR		
	Q 966	2SA1576A/QR/-X	TRANSISTOR		
	Q 977	DTA114EUA-X	DIGITAL.TR		
	Q 979	DTA114EUA-X	DIGITAL.TR		
	Q 981	DTA114EUA-X	DIGITAL.TR		
	Q 982	DTA114EUA-X	DIGITAL.TR		
	Q 983	2SC4081/QR/-X	TRANSISTOR		
	Q 986	TRC114EUL-A	TRANSISTOR		
	R 1	RK000JA0J	RESISTOR	RK 1/10W 0	
	R 2	RK104JA0J	RESISTOR	RK 1/10W 100 K	
	R 3	RK100JA0J	RESISTOR	RK 1/10W 10	
	R 4	RK103JA0J	RESISTOR	RK 1/10W 10K	
	R 10	RK4R7JA0J	RESISTOR	RK 1/10W 4.7	
	R 11	RK4R7JA0J	RESISTOR	RK 1/10W 4.7	
	R 12	RK473JA0J	RESISTOR	RK 1/10W 47 K	
	R 13	RK472JA0J	RESISTOR	RK 1/10W 4.7K	
	R 14	RK473JA0J	RESISTOR	RK 1/10W 47 K	
	R 15	RK332JA0J	RESISTOR	RK1/10W 3.3K	
	R 21	RK473JA0J	RESISTOR	RK 1/10W 47K	
	R 22	RK393JA0J	RESISTOR	RK 1/10W 39K	
	R 23	RK103JA0J	RESISTOR	RK 1/10W 10K	
	R 23	RK222JA0J	RESISTOR	RK 1/10W 2.2K	

■ Electrical parts list (Main board)

Block No. 01

△	Item	Parts number	Parts name	Remarks	Area	△	Item	Parts number	Parts name	Remarks	Area
	R 24	RK222JA0J	RESISTOR	RK 1/10W 2.2K			R 201	RK682JA0J	RESISTOR	RK 1/10W 6.8K	
	R 25	RK103JA0J	RESISTOR	RK 1/10W 10K			R 202	RK223JA0J	RESISTOR	RK 1/10W 22K	
	R 26	RK153JA0J	RESISTOR	RK 1/10W 15K			R 211	RK224JA0J	RESISTOR	RK 1/10W 220K	
	R 27	RK471JA0J	RESISTOR	RK 1/10W 470			R 218	RK104JA0J	RESISTOR	RK 1/10W 100K	
	R 27	RK393JA0J	RESISTOR	RK 1/10W 39K			R 219	RK101JA0J	RESISTOR	RK 1/10W 100	
	R 28	RK683JA0J	RESISTOR	RK 1/10W 68K			R 231	RK222JA0J	RESISTOR	KD-LX330R	
	R 28	RK103JA0J	RESISTOR	RK 1/10W 10K			R 231	RK222JA0J	RESISTOR	RK 1/10W 2.2K	
	R 31	RK123JA0J	RESISTOR	RK 1/10W 12K			R 232	RK222JA0J	RESISTOR	RK 1/10W 2.2K	
	R 32	RK474JA0J	RESISTOR	RK 1/10W 470K			R 233	RK681JA0J	RESISTOR	KD-LX330R	
	R 33	RK222JA0J	RESISTOR	RK 1/10W 2.2K			R 234	RK681JA0J	RESISTOR	RK 1/10W 680	
	R 34	RK392JA0J	RESISTOR	RK 1/10W 3.9K			R 235	RK101JA0J	RESISTOR	KD-LX330R	
	R 35	RK333JA0J	RESISTOR	RK 1/10W 33K			R 235	RK101JA0J	RESISTOR	RK 1/10W 100K	
	R 36	RK683JA0J	RESISTOR	RK 1/10W 68K			R 236	RK101JA0J	RESISTOR	RK 1/10W 100	
	R 37	RK222JA0J	RESISTOR	RK 1/10W 2.2K			R 241	RK473JA0J	RESISTOR	KD-LX330R	
	R 38	RK183JA0J	RESISTOR	RK 1/10W 18K			R 242	RK473JA0J	RESISTOR	KD-LX330R	
	R 39	RK223JA0J	RESISTOR	RK 1/10W 22K			R 243	RK473JA0J	RESISTOR	KD-LX330R	
	R 40	RK562JA0J	RESISTOR	RK 1/10W 5.6K			R 244	RK473JA0J	RESISTOR	KD-LX330R	
	R 41	RK105JA0J	RESISTOR	RK 1/10W 1M			R 245	RK473JA0J	RESISTOR	KD-LX330R	
	R 42	RK471JA0J	RESISTOR	RK 1/10W 470			R 246	RK473JA0J	RESISTOR	KD-LX330R	
	R 43	RK104JA0J	RESISTOR	RK 1/10W 100K			R 251	RK153JA0J	RESISTOR	RK 1/10W 15	
	R 44	RK102JA0J	RESISTOR	RK 1/10W 1K			R 252	RK333JA0J	RESISTOR	RK 1/10W 33K	
	R 45	RK473JA0J	RESISTOR	RK 1/10W 47K			R 253	RK123JA0J	RESISTOR	RK 1/10W 12K	
	R 46	RK563JA0J	RESISTOR	RK 1/10W 56K			R 255	RK472JA0J	RESISTOR	RK 1/10W 4.7K	
	R 47	RK000JA0J	RESISTOR	RK 1/10W 0K			R 272	RK104JA0J	RESISTOR	KD-LX330R	
	R 51	RK101JA0J	RESISTOR	RK 1/10W 100K			R 273	RK822JA0J	RESISTOR	KD-LX330R	
	R 52	RK222JA0J	RESISTOR	RK 1/10W 2.2K			R 274	RK822JA0J	RESISTOR	KD-LX330R	
	R 53	RK103JA0J	RESISTOR	RK 1/10W 10K			R 275	RK103JA0J	RESISTOR	KD-LX330R	
	R 54	RK222JA0J	RESISTOR	RK 1/10W 2.2K			R 276	RK103JA0J	RESISTOR	KD-LX330R	
	R 101	RK682JA0J	RESISTOR	RK 1/10W 6.8K			R 277	RK102JA0J	RESISTOR	KD-LX330R	
	R 102	RK223JA0J	RESISTOR	RK 1/10W 22K			R 301	RK243JA0J	RESISTOR	KD-LX330R	
	R 111	RK224JA0J	RESISTOR	RK 1/10W 220K			R 302	RK243JA0J	RESISTOR	KD-LX330R	
	R 118	RK104JA0J	RESISTOR	RK 1/10W 100K			R 303	RK333JA0J	RESISTOR	KD-LX330R	
	R 119	RK101JA0J	RESISTOR	RK 1/10W 100			R 304	RK333JA0J	RESISTOR	KD-LX330R	
	R 131	RK222JA0J	RESISTOR	KD-LX330R			R 305	RK154JA0J	RESISTOR	KD-LX330R	
	R 132	RK222JA0J	RESISTOR	RK 1/10W 2.2K			R 322	RK103JA0J	RESISTOR	KD-LX330R	
	R 133	RK681JA0J	RESISTOR	KD-LX110R			R 323	RK103JA0J	RESISTOR	KD-LX330R	
	R 134	RK681JA0J	RESISTOR	RK 1/10W 680			R 324	RK104JA0J	RESISTOR	KD-LX330R	
	R 135	RK101JA0J	RESISTOR	KD-LX330R			R 325	RK104JA0J	RESISTOR	KD-LX330R	
	R 136	RK101JA0J	RESISTOR	RK 1/10W 100			R 326	RK103JA0J	RESISTOR	KD-LX330R	
	R 141	RK473JA0J	RESISTOR	KD-LX330R			R 327	RK562JA0J	RESISTOR	KD-LX330R	
	R 142	RK473JA0J	RESISTOR	KD-LX330R			R 328	RK153JA0J	RESISTOR	KD-LX330R	
	R 143	RK473JA0J	RESISTOR	KD-LX330R			R 329	RK000JA0J	RESISTOR	KD-LX330R	
	R 144	RK473JA0J	RESISTOR	KD-LX330R			R 330	RK473JA0J	RESISTOR	KD-LX330R	
	R 145	RK473JA0J	RESISTOR	KD-LX110R			R 331	RK104JA0J	RESISTOR	KD-LX330R	
	R 146	RK473JA0J	RESISTOR	KD-LX110R			R 332	RK104JA0J	RESISTOR	KD-LX330R	
	R 151	RK153JA0J	RESISTOR	RK 1/10W 15			R 333	RK473JA0J	RESISTOR	KD-LX330R	
	R 152	RK333JA0J	RESISTOR	RK 1/10W 33K			R 334	RK473JA0J	RESISTOR	KD-LX330R	
	R 153	RK123JA0J	RESISTOR	RK 1/10W 12K			R 335	RK821JA0J	RESISTOR	KD-LX330R	
	R 155	RK472JA0J	RESISTOR	RK 1/10W 4.7K			R 336	RK473JA0J	RESISTOR	KD-LX330R	
	R 161	RK473JA0J	RESISTOR	RK 1/10W 47K			R 337	RK472JA0J	RESISTOR	KD-LX330R	
	R 162	RK123JA0J	RESISTOR	RK 1/10W 12K			R 338	RK101JA0J	RESISTOR	KD-LX330R	
	R 163	RK184JA0J	RESISTOR	RK 1/10W 180K			R 339	RK101JA0J	RESISTOR	KD-LX330R	
	R 164	RK223JA0J	RESISTOR	RK 1/10W 22K			R 340	RK474JA0J	RESISTOR	KD-LX330R	
	R 165	RK391JA0J	RESISTOR	RK 1/10W 390			R 341	RK105JA0J	RESISTOR	KD-LX330R	
	R 166	RK102JA0J	RESISTOR	RK 1/10W 1K			R 342	RK105JA0J	RESISTOR	KD-LX330R	
	R 167	RK274JA0J	RESISTOR	RK 1/10W 270K			R 343	RK105JA0J	RESISTOR	KD-LX330R	
	R 171	RK471JA0J	RESISTOR	KD-LX330R			R 344	RK105JA0J	RESISTOR	KD-LX330R	
	R 172	RK104JA0J	RESISTOR	KD-LX330R			R 351	RK224JA0J	RESISTOR	KD-LX330R	
	R 173	RK822JA0J	RESISTOR	KD-LX330R			R 352	RK224JA0J	RESISTOR	KD-LX330R	
	R 174	RK822JA0J	RESISTOR	KD-LX330R			R 353	RK105JA0J	RESISTOR	RK 1/10W 1M	
	R 175	RK103JA0J	RESISTOR	KD-LX330R			R 354	RK682JA0J	RESISTOR	RK 1/10W 6.8K	
	R 176	RK103JA0J	RESISTOR	KD-LX330R			R 355	RK224JA0J	RESISTOR	RK 1/10W 220K	
	R 177	RK102JA0J	RESISTOR	KD-LX330R			R 358	RK332JA0J	RESISTOR	RK 1/10W 3.3K	

■ Electrical parts list (Main board)

Block No. 01

△	Item	Parts number	Parts name	Remarks	Area
	R 361	RK473JA0J	RESISTOR	KD-LX110R	
	R 362	RK473JA0J	RESISTOR	KD-LX110R	
	R 363	RK154JA0J	RESISTOR	KD-LX110R	
	R 364	RK154JA0J	RESISTOR	KD-LX110R	
	R 365	RK333JA0J	RESISTOR	KD-LX110R	
	R 366	RK333JA0J	RESISTOR	KD-LX110R	
	R 367	RK154JA0J	RESISTOR	KD-LX110R	
	R 368	RK154JA0J	RESISTOR	KD-LX110R	
	R 369	RK103JA0J	RESISTOR	KD-LX110R	
	R 370	RK103JA0J	RESISTOR	KD-LX110R	
	R 401	RK243JA0J	RESISTOR	KD-LX330R	
	R 402	RK243JA0J	RESISTOR	KD-LX330R	
	R 403	RK333JA0J	RESISTOR	KD-LX330R	
	R 404	RK333JA0J	RESISTOR	KD-LX330R	
	R 405	RK154JA0J	RESISTOR	KD-LX330R	
	R 451	RK224JA0J	RESISTOR	KD-LX330R	
	R 452	RK224JA0J	RESISTOR	KD-LX330R	
	R 454	RK682JA0J	RESISTOR	RK 1/10W 6.8K	
	R 455	RK224JA0J	RESISTOR	RK 1/10W 220K	
	R 458	RK332JA0J	RESISTOR	RK 1/10W 3.3K	
	R 461	RK473JA0J	RESISTOR	KD-LX110R	
	R 462	RK473JA0J	RESISTOR	KD-LX110R	
	R 463	RK154JA0J	RESISTOR	KD-LX110R	
	R 464	RK154JA0J	RESISTOR	KD-LX110R	
	R 465	RK333JA0J	RESISTOR	KD-LX110R	
	R 466	RK333JA0J	RESISTOR	KD-LX110R	
	R 467	RK154JA0J	RESISTOR	KD-LX110R	
	R 468	RK154JA0J	RESISTOR	KD-LX110R	
	R 469	RK103JA0J	RESISTOR	KD-LX110R	
	R 470	RK103JA0J	RESISTOR	KD-LX110R	
	R 501	RK823JA0J	RESISTOR	RK 1/10W 82K	
	R 502	RK823JA0J	RESISTOR	RK 1/10W 82K	
	R 503	RK823JA0J	RESISTOR	RK 1/10W 82K	
	R 504	RK823JA0J	RESISTOR	RK 1/10W 82K	
	R 505	RK154JA0J	RESISTOR	RK 1/10W 150K	
	R 506	RK154JA0J	RESISTOR	RK 1/10W 150K	
	R 507	RK220JA0J	RESISTOR	RK 1/10W 22	
	R 508	RK220JA0J	RESISTOR	RK 1/10W 22	
	R 509	RK821JA1J	RESISTOR	RK 1/10W 820	
	R 510	RK473JA0J	RESISTOR	RK 1/10W 47K	
	R 511	RK822JA0J	RESISTOR	RK 1/10W 8.2K	
	R 512	RK202JA0J	RESISTOR	RK 1/10W 2K	
	R 513	RK102JA0J	RESISTOR	RK 1/10W 1K	
	R 514	RK273JA0J	RESISTOR	RK 1/10W 27K	
	R 515	RK823JA0J	RESISTOR	RK 1/10W 82K	
	R 516	RK101JA0J	RESISTOR	RK 1/10W 100	
	R 520	RK222JA0J	RESISTOR	RK 1/10W 2.2K	
	R 521	RK472JA0J	RESISTOR	RK 1/10W 4.7K	
	R 522	RK472JA0J	RESISTOR	RK 1/10W 4.7K	
	R 523	RK472JA0J	RESISTOR	RK 1/10W 4.7K	
	R 524	RK472JA0J	RESISTOR	RK 1/10W 4.7K	
	R 525	RK103JA0J	RESISTOR	RK 1/10W 10K	
	R 530	RK225JA0J	RESISTOR	RK 1/10W 2.2K	
	R 531	RK562JA0J	RESISTOR	RK 1/10W 5.6K	
	R 532	RK473JA0J	RESISTOR	RK 1/10W 47K	
	R 533	RK474JA0J	RESISTOR	RK 1/10W 470K	
	R 536	RK333JA0J	RESISTOR	RK 1/10W 33K	
	R 537	RK103JA0J	RESISTOR	RK 1/10W 10K	
	R 540	RK000JA0J	RESISTOR	RK 1/10W 0	
	R 541	RK101JA0J	RESISTOR	RK 1/10W 100	
	R 542	RK101JA0J	RESISTOR	RK 1/10W 100	
	R 543	RK000JA0J	RESISTOR	RK 1/10W 0	
	R 544	RK000JA0J	RESISTOR	RK 1/10W 0	

△	Item	Parts number	Parts name	Remarks	Area
	R 545	RK101JA0J	RESISTOR	RK 1/10W 100	
	R 547	RK101JA0J	RESISTOR	RK 1/10W 100	
	R 550	RK105JA0J	RESISTOR	RK 1/10W 1M	
	R 555	RK000JA0J	RESISTOR	RK 1/10W 0	
	R 556	RK106JA0J	RESISTOR	RK 1/10W 10M	
	R 581	RK332JA0J	RESISTOR	RK 1/10W 3.3K	
	R 582	RK122JA0J	RESISTOR	RK 1/10W 1.2K	
	R 583	RK332JA0J	RESISTOR	RK 1/10W 3.3K	
	R 584	RK182JA0J	RESISTOR	RK 1/10W 1.8	
	R 585	RK682JA0J	RESISTOR	RK 1/10W 6.8K	
	R 586	RK682JA0J	RESISTOR	RK 1/10W 6.8K	
	R 587	RK682JA0J	RESISTOR	RK 1/10W 6.8K	
	R 588	RK682JA0J	RESISTOR	RK 1/10W 6.8K	
	R 589	RK392JA0J	RESISTOR	RK 1/10W 3.9K	
	R 590	RK472JA0J	RESISTOR	RK 1/10W 4.7K	
	R 591	RK392JA0J	RESISTOR	RK 1/10W 3.9K	
	R 592	RK472JA0J	RESISTOR	RK 1/10W 4.7K	
	R 593	RK392JA0J	RESISTOR	RK 1/10W 3.9K	
	R 594	RK472JA0J	RESISTOR	RK 1/10W 4.7K	
	R 595	RK103JA0J	RESISTOR	RK 1/10W 10K	
	R 596	RK333JA0J	RESISTOR	RK 1/10W 33K	
	R 597	RD104J3CC	RESISTOR	RD 1/4W 100K	
	R 701	RK473JA0J	RESISTOR	RK 1/10W 47K	
	R 702	RK101JA0J	RESISTOR	RK 1/10W 100	
	R 703	RK473JA0J	RESISTOR	RK 1/10W 47K	
	R 704	RK473JA0J	RESISTOR	RK 1/10W 47K	
	R 705	RK473JA0J	RESISTOR	RK 1/10W 47K	
	R 706	RK103JA0J	RESISTOR	RK 1/10W 10K	
	R 707	RK472JA0J	RESISTOR	RK 1/10W 4.7K	
	R 708	RK472JA0J	RESISTOR	RK 1/10W 4.7K	
	R 709	RK472JA0J	RESISTOR	RK 1/10W 4.7K	
	R 710	RK103JA0J	RESISTOR	RK 1/10W 10K	
	R 711	RK103JA0J	RESISTOR	RK 1/10W 10K	
	R 712	RK103JA0J	RESISTOR	RK 1/10W 10K	
	R 713	RK222JA0J	RESISTOR	RK 1/10W 2.2K	
	R 714	RK103JA0J	RESISTOR	RK 1/10W 10K	
	R 715	RK472JA0J	RESISTOR	RK 1/10W 4.7K	
	R 716	RK472JA0J	RESISTOR	RK 1/10W 4.7K	
	R 717	RK472JA0J	RESISTOR	RK 1/10W 4.7K	
	R 718	RK104JA0J	RESISTOR	RK 1/10W 100K	
	R 719	RK104JA0J	RESISTOR	RK 1/10W 100K	
	R 720	RK331JA0J	RESISTOR	RK 1/10W 330	
	R 721	RK103JA0J	RESISTOR	RK 1/10W 10K	
	R 722	RK103JA0J	RESISTOR	RK 1/10W 10K	
	R 723	RK102JA0J	RESISTOR	RK 1/10W 1K	
	R 724	RK271JA0J	RESISTOR	RK 1/10W 270	
	R 725	RK271JA0J	RESISTOR	RK 1/10W 270	
	R 726	RK473JA0J	RESISTOR	RK 1/10W 47K	
	R 728	RK103JA0J	RESISTOR	RK 1/10W 10K	
	R 730	RK103JA0J	RESISTOR	RK 1/10W 10K	
	R 731	RK473JA0J	RESISTOR	RK 1/10W 47K	
	R 732	RK473JA0J	RESISTOR	RK 1/10W 47K	
	R 733	RK473JA0J	RESISTOR	RK 1/10W 47K	
	R 734	RK472JA0J	RESISTOR	RK 1/10W 4.7K	
	R 735	RK472JA0J	RESISTOR	RK 1/10W 4.7K	
	R 736	RK102JA0J	RESISTOR	RK 1/10W 1K	
	R 737	RK103JA0J	RESISTOR	RK 1/10W 10K	
	R 738	RK103JA0J	RESISTOR	RK 1/10W 10K	
	R 739	RK473JA0J	RESISTOR	RK 1/10W 47K	
	R 740	RK473JA0J	RESISTOR	KD-LX330R	
	R 742	RK103JA0J	RESISTOR	RK 1/10W 10K	
	R 743	RK473JA0J	RESISTOR	RK 1/10W 47K	
	R 746	RK473JA0J	RESISTOR	RK 1/10W 47K	

■ Electrical parts list (Main board)

Block No. 01

△	Item	Parts number	Parts name	Remarks	Area
	R 747	RK473JA0J	RESISTOR	RK 1/10W 47K	
	R 748	RK473JA0J	RESISTOR	RK 1/10W 47K	
	R 749	RK473JA0J	RESISTOR	RK 1/10W 47K	
	R 750	RK473JA0J	RESISTOR	RK 1/10W 47K	
	R 751	RK106JA0J	RESISTOR	RK 1/10W 10M	
	R 752	RK473JA0J	RESISTOR	KD-LX110R	
	R 757	RK103JA0J	RESISTOR	RK 1/10W 10K	
	R 758	RK331JA0J	RESISTOR	RK 1/10W 330	
	R 761	RK103JA0A	RESISTOR	RK1/10W 10 K	
	R 762	RK222JA0J	RESISTOR	RK1/10W 2.2K	
	R 763	RK222JA0J	RESISTOR	RK1/10W 2.2K	
	R 764	RK222JA0J	RESISTOR	RK1/10W 2.2K	
	R 765	RK222JA0J	RESISTOR	RK1/10W 2.2K	
	R 772	RK473JA0J	RESISTOR	RK 1/10W 47K	
	R 773	RK223JA0J	RESISTOR	RK 1/10W 22K	
	R 774	RK101JA0J	RESISTOR	RK 1/10W 100	
	R 775	RK103JA0J	RESISTOR	RK 1/10W 10K	
	R 776	RK104JA0J	RESISTOR	RK 1/10W 100K	
	R 777	RK223JA0J	RESISTOR	RK 1/10W 22K	
	R 778	RK101JA0J	RESISTOR	RK 1/10W 100	
	R 779	RK473JA0J	RESISTOR	RK 1/10W 47K	
	R 781	RK331JA0J	RESISTOR	RK 1/10W 330	
	R 782	RK104JA0J	RESISTOR	RK 1/10W 100K	
	R 791	RK102JA0J	RESISTOR	RK 1/10W 1K	
	R 821	RD102J3CQ	RESISTOR	KD-LX330R	
	R 822	RK822JA0J	RESISTOR	KD-LX330R	
	R 823	RK223JA0J	RESISTOR	KD-LX330R	
	R 824	RK822JA0J	RESISTOR	KD-LX330R	
	R 825	RK223JA0J	RESISTOR	KD-LX330R 22K	
	R 826	RK153JA0J	RESISTOR	KD-LX330R	
	R 827	RK472JA0J	RESISTOR	KD-LX330R	
	R 828	RK223JA0J	RESISTOR	KD-LX330R	
	R 829	RK223JA0J	RESISTOR	KD-LX330R	
	R 830	RK103JA0J	RESISTOR	KD-LX330R	
	R 831	RK820JA0J	RESISTOR	KD-LX330R	
	R 911	RK222JA0J	RESISTOR	RK 1/10W 2.2K	
	R 912	RK222JA0J	RESISTOR	RK 1/10W 2.2K	
	R 941	RK273JA0J	RESISTOR	RK 1/10W 27K	
	R 943	RK562JA0J	RESISTOR	RK 1/10W 5.6	
	R 951	RK562JA0J	RESISTOR	KD-LX330R	
	R 952	RK102JA0J	RESISTOR	RK 1/10W 1K	
	R 953	RK562JA0J	RESISTOR	RK 1/10W 5.6K	
	R 954	RK103JA0J	RESISTOR	RK 1/10W 10K	
	R 962	RK912JA0J	RESISTOR	RK 1/10W 9.1K	
	R 963	RK472JA0J	RESISTOR	RK 1/10W 4.7K	
	R 970	RK123JA0J	RESISTOR	RK 1/10W 12K	
	R 971	RK393JA0J	RESISTOR	RK 1/10W 39K	
	R 976	RK222JA1J	RESISTOR	RK 1/10W 2.2	
	R 977	RK222JA1J	RESISTOR	RK 1/10W 2.2	
	R 978	RK104JA1J	N.F RESISTOR	RK 1/10W 100	
	R 979	RD102J3CQ	RESISTOR	RD 1/4W 1	
	R 981	RK183JA0J	RESISTOR		
	R 984	RK473JA0J	RESISTOR	RK 1/10W 47K	
	R 985	RK472JA0J	N.F RESISTOR	RK 1/10W 4.7K	
	R 986	RK102JA0J	RESISTOR	RK 1/10W 1K	
	R 987	RK473JA0J	RESISTOR	RK 1/10W 47K	
	R 988	RK332JA0J	RESISTOR	RK 1/10W 3.3K	
	S 651	000392900-T	SWITCH	SW MPU12270MLB1	
	S 652	000392900-T	SWITCH	SW MPU12270MLB1	
	S 653	000392900-T	SWITCH	SW MPU12270MLB1	
	TH981	TH103J05J	THERMISTOR	THERMISTOR 10K	
	TU 1	000153580	TUNNER PUCK		
	VR 31	SFR503027	ENCODER		

△	Item	Parts number	Parts name	Remarks	Area
	X 31	000067990	CRYSTAL		
	X 51	000171200-T	CRYSTAL	X'TAL 4.332MHZ	
	X 521	000171590-T	CRYSTAL	X'TAL 16.9344MH	
	X 701	000171600-T	CRYSTAL	X'TAL 12.5MHZ	
	X 702	QAX0401-001	CRYSTAL	X'TAL 32.768KHZ	

■ Electrical parts list (Front board)

Block No. 02

△	Item	Parts number	Parts name	Remarks	Area
	C 601	CY475316J	CAPACITOR	CY 4.7 UF	
	C 602	CY104423J	CAPACITOR	CY 0.1 UF	
	C 603	CY104423J	CAPACITOR	CY 0.1 UF	
	C 604	CY102623J	CAPACITOR	CY 0.001 UF	
	C 605	CY475316J	CAPACITOR	CY 4.7 UF	
	C 606	CY104423J	CAPACITOR	CY 0.1 UF	
	C 607	CY104423J	CAPACITOR	CY 0.1 UF	
	C 608	CY102623J	CAPACITOR	KD-LX110R	
	C 608	CY104423J	CAPACITOR	KD-LX330R	
	C 609	CZ1016D2J	CAPACITOR	KD-LX330R	
	C 610	CY475316J	CAPACITOR	KD-LX330R	
	C 611	CY475316J	CAPACITOR	CY 4.7 UF	
	C 612	CQ393628J	CAPACITOR	CQ 0.039 UF	
	C 613	CY180J90J	CAPACITOR	CY 18 PF	
	C 614	CY104423J	CAPACITOR	CY 0.1 UF	
	C 615	CY562623J	CAPACITOR	CY 0.0056UF	
	C 616	CY475316J	CAPACITOR	CY 4.7 UF	
	C 623	CY475316J	CAPACITOR	CY 4.7 UF	
	CN601	KZ040170L	CONNECTOR	17P FPC CONNECT	
	CN631	KZ040060L	CONNECTOR	6P FPC CONNECTO	
	D 623	000372400-T	DIODE	LED SML310LT	
	D 624	000372400-T	DIODE	LED SML310LT	
	D 625	UDZS5.1B	ZENER DIODE		
	D 626	DI1SS400L	DIODE		
	D 627	000372390-T	DIODE	LED LT1F67AF	
	D 628	000372400-T	DIODE	LED SML310LT	
	D 629	000372400-T	DIODE	LED SML310LT	
	D 630	000372400-T	DIODE	LED SML310LT	
	D 631	CL-190UB-X-X	DIODE	LED CL-190UB-X	
	D 632	000372400-T	DIODE	LED SML310LT	
	D 633	000372400-T	DIODE	LED SML310LT	
	D 634	000372400-T	DIODE	LED SML310LT	
	D 635	000372400-T	DIODE	LED SML310LT	
	D 636	000372400-T	DIODE	LED SML310LT	
	D 637	000372410-T	DIODE	LED CL-190SD-X	
	D 638	000372410-T	DIODE	LED CL-190SD-X	
	D 639	000372410-T	DIODE	LED CL-190SD-X	
	D 640	000372410-T	DIODE	LED CL-190SD-X	
	D 641	000372410-T	DIODE	LED CL-190SD-X	
	D 642	000372410-T	DIODE	LED CL-190SD-X	
	D 643	000372410-T	DIODE	LED CL-190SD-X	
	D 644	000372410-T	DIODE	LED CL-190SD-X	
	D 645	000372410-T	DIODE	LED CL-190SD-X	
	D 646	000372410-T	DIODE	LED CL-190SD-X	
	D 647	000372410-T	DIODE	LED CL-190SD-X	
	D 648	000372410-T	DIODE	LED CL-190SD-X	
	D 650	CL-190UB-X-X	DIODE	LED CL-190UB-X	
	FL611	000282950	CFL	CFL	
	IC601	TA2147F-X	IC		
	IC602	LC75823W	IC	KD-LX110R	
	IC602	LC75811W	I.C(M)	KD-LX330R	
	IC603	RPM6938-SV4	IC	IC RPM6938-V4	
	L 611	LC680J26L	CHOKE COIL	CHOKE COIL 68UH	
	L 612	000125810	COIL	TRANS TR11-B-S	
	L 613	LC100K10J	COIL	CHOKE COIL 10UH	
	PC601	000874550	IC	IC PR-20	
	Q 611	2SD2150/RS-W	POW TRANSISTOR		
	Q 612	2SD2150/RS-W	POW TRANSISTOR		
	Q 691	2SC4081/QR/-X	TRANSISTOR		
	Q 692	2SC4081/QR/-X	TRANSISTOR		
	R 601	RK103JA0J	RESISTOR	RK 1/10W 10K	
	R 602	RK103JA0J	RESISTOR	RK 1/10W 10K	
	R 603	RK103JA0J	RESISTOR	RK 1/10W 10K	

△	Item	Parts number	Parts name	Remarks	Area
	R 604	RK473JA0J	RESISTOR	RK 1/10W 47K	
	R 605	RK103JA0J	RESISTOR	RK 1/10W 10K	
	R 606	RK103JA0J	RESISTOR	RK 1/10W 10K	
	R 607	RK103JA0J	RESISTOR	RK 1/10W 10K	
	R 608	RK473JA0J	RESISTOR	KD-LX110R	
	R 608	RK103JA0J	RESISTOR	KD-LX330R	
	R 609	RK153JA0J	RESISTOR	KD-LX330R	
	R 611	RK472JA0J	RESISTOR	RK 1/10W 4.7K	
	R 612	RK472JA0J	RESISTOR	RK 1/10W 4.7K	
	R 613	RK681JA0J	RESISTOR	RK 1/10W 680	
	R 621	RK271JA0J	RESISTOR	RK 1/10W 270	
	R 622	RK331JA0J	RESISTOR	RK 1/10W 330	
	R 623	RK821JA0J	RESISTOR	RK 1/10W 820	
	R 624	RK821JA0J	RESISTOR	RK 1/10W 820	
	R 625	RK471JA0J	RESISTOR	RK 1/10W 470	
	R 626	RK103JA0J	RESISTOR	RK 1/10W 10K	
	R 627	RK121JA0J	RESISTOR	RK 1/10W 120	
	R 628	RK000JA0J	RESISTOR	RK 1/10W 0	
	R 629	RK471JA0J	RESISTOR	RK 1/10W 470	
	R 630	RK271JA0J	RESISTOR	RK 1/10W 270	
	R 631	RK391JA0J	RESISTOR	RK 1/10W 390	
	R 632	RK221JA0J	RESISTOR	RK 1/10W 220	
	R 633	RK221JA0J	RESISTOR	RK 1/10W 220	
	R 634	RK221JA0J	RESISTOR	RK 1/10W 220	
	R 635	RK221JA0J	RESISTOR	RK 1/10W 220	
	R 636	RK821JA0J	RESISTOR	RK 1/10W 820	
	R 638	RK122JA0J	RESISTOR	RK 1/10W 1.2K	
	R 639	RK182JA0J	RESISTOR	RK 1/10W 1.8K	
	R 640	RK272JA0J	RESISTOR	RK 1/10W 2.7K	
	R 641	RK392JA0J	RESISTOR	RK 1/10W 3.9K	
	R 642	RK821JA0J	RESISTOR	RK 1/10W 820	
	R 643	RK821JA0J	RESISTOR	RK 1/10W 820	
	R 644	RK122JA0J	RESISTOR	RK 1/10W 1.2K	
	R 645	RK182JA0J	RESISTOR	RK 1/10W 1.8K	
	R 646	RK272JA0J	RESISTOR	RK 1/10W 2.7K	
	R 647	RK392JA0J	RESISTOR	RK 1/10W 3.9K	
	R 648	RK271JA0J	RESISTOR	RK 1/10W 270	
	R 649	RK271JA0J	RESISTOR	RK 1/10W 270	
	R 650	RK391JA0J	RESISTOR	RK 1/10W 390	
	R 651	RK221JA0J	RESISTOR	RK 1/10W 220	
	R 652	RK221JA0J	RESISTOR	RK 1/10W 220	
	R 658	RK181JA0J	RESISTOR	RK 1/10W 180	
	R 667	RK104JA0J	RESISTOR	RK 1/10W 100K	
	R 668	RK104JA0J	RESISTOR	RK 1/10W 100K	
	R 671	RK331JA0J	RESISTOR	RK 1/10W 330	
	R 672	RK331JA0J	RESISTOR	RK 1/10W 330	
	R 673	RK332JA0J	RESISTOR	RK 1/10W 3.3K	
	R 674	RK332JA0J	RESISTOR	RK 1/10W 3.3K	
	R 675	RK332JA0J	RESISTOR	RK 1/10W 3.3K	
	R 676	RK181JA0J	RESISTOR	RK 1/10W 180	
	R 691	RK104JA0J	RESISTOR	RK 1/10W 100K	
	R 692	RK393JA0J	RESISTOR	RK 1/10W 39K	
	R 693	RK104JA0J	RESISTOR	RK 1/10W 100K	
	R 694	RK393JA0J	RESISTOR	RK 1/10W 39K	
	RR637	RK821JA0J	RESISTOR	RK 1/10W 820	
	S 623	000392870-T	SWITCH	TACT SW LS8J2	
	S 624	000392870-T	SWITCH	TACT SW LS8J2	
	S 625	000392910-T	SWITCH	TACT SW	
	S 631	000392870-T	SWITCH	TACT SW LS8J2	
	S 632	000392870-T	SWITCH	TACT SW LS8J2	
	S 633	000392870-T	SWITCH	TACT SW LS8J2	
	S 634	000392870-T	SWITCH	TACT SW LS8J2	
	S 635	000392870-T	SWITCH	TACT SW LS8J2	

■ Electrical parts list

Block No. 02

△	Item	Parts number	Parts name	Remarks	Area
	S 636	000392870-T	SWITCH	TACT SW LS8J2	
	S 637	000392870-T	SWITCH	TACT SW LS8J2	
	S 638	000392870-T	SWITCH	TACT SW LS8J2	
	S 639	000392870-T	SWITCH	TACT SW LS8J2	
	S 640	000392870-T	SWITCH	TACT SW LS8J2	
	S 641	000392870-T	SWITCH	TACT SW LS8J2	
	S 642	000392870-T	SWITCH	TACT SW LS8J2	
	S 643	000392870-T	SWITCH	TACT SW LS8J2	
	VR621	000392860	ENCODER	ENCODER EC12E	

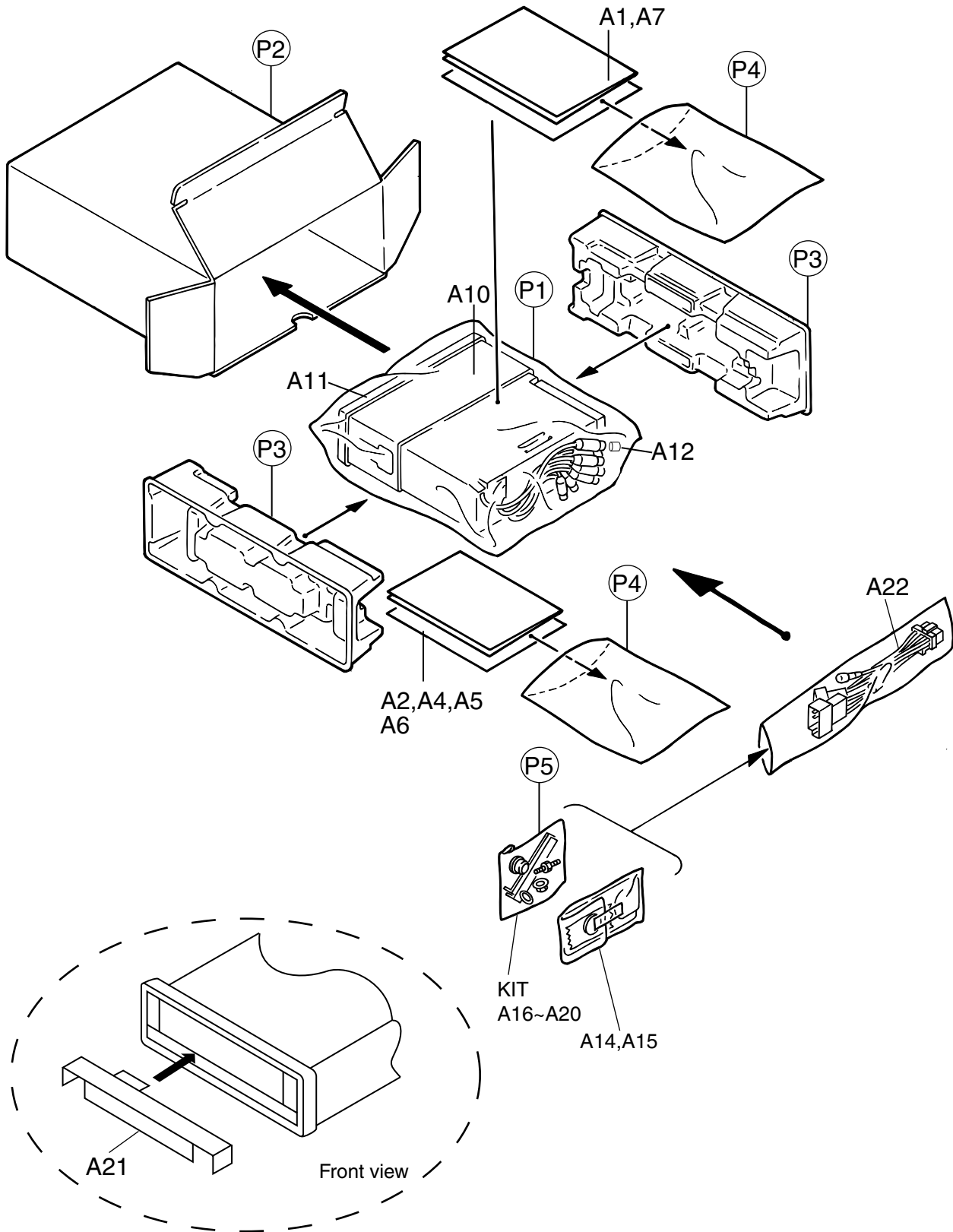
Packing materials and accessories parts list

Block No.

M	3	M	M
---	---	---	---

Block No.

M	4	M	M
---	---	---	---



■ Parts list (Packing)

Block No. M3MM

△	Item	Parts number	Parts name	Q'ty	Description	Area
	P 1	QPC03004315P	POLY BAG	1	KD-LX330R	
	P 2	PDB450089	GIFT BOX	1	KD-LX110R	
		PDB450088	GIFT BOX	1	KD-LX330R	
	P 3	LV10193-201A	PAPER CUSHION	2		
	P 4	FSPG4002-001A	POLLY BAG	2		
	P 5	QPA00801205	POLY BAG	1		

■ Parts list (Accessories)

Block No. M4MM

△	Item	Parts number	Parts name	Q'ty	Description	Area
	A 1	PIM165800	INSTRUCTION	1	KD-LX110R SPA ITA SWE	
		PIM165900	INSTRUCTION	1	KD-LX330R SPA ITA SWE	
		PIM164200	INSTRUCTION	1	KD-LX330R ENG GER FRE	
		PIM164100	INSTRUCTION	1	KD-LX110R ENG GER FRE	
	A 2	PIM164300	INSTALLATION	1	KD-LX110R ENG GER FRE DUT	
		PIM164000	INSTALLATION	1	SPA ITA SWE FIN	
	A 4	LV40978-001A	CAUTION SHEET	1		
	A 5	PTC003900	CAUTION SHEET	1		
	A 6	BT-54013-1	WARRANTY CARD	1		
	A 7	VND3050-001	IDENTITY CARD	1		
	A 10	FSKM2004-202	MOUNTING SLEEVE	1		
	A 11	LV10187-001A-S	TRIM PLATE	1		
	A 12	000393470	JACK COVER	3	KD-LX330R	
		000393470	JACK COVER	1	KD-LX110R	
	A 14	RM-RK31	REMOCON	1	KD-LX330R	
	A 15	QAB0014-001	BATTERY	1	KD-LX330R	
	A 16	VKZ4027-202	PLUG NUT	1		
	A 17	VKH4871-001	MOUNT BOLT	1		
	A 18	VKZ4328-001	LOCK NUT	1		
	A 19	FSKL4010-002	HOOK	2		
	A 20	WNS5000Z	WASHER	1		
	A 21	PCT004100	TRANSPORT SHEET	1		
	A 22	EX0000494	ISO CORD ASS'Y	1		
	KIT	KDGS717K-SCREW1	SCREW PARTS KIT	1		